

# Xelent Series Thermostat Panel

## Datasheet



MPHXL-6B-KS.18



Please scan the QR code above to check the latest version of datasheet!

Before using this product, please read this datasheet carefully and keep it properly!

Document Version: C

## ◆◆ Overview

**Xelent Series Thermostat Panel** (hereafter referred to as the “product” or “device”, model No.: MPHXL-6B-KS.18), has a segmented LCD screen and mechanical buttons, each button supporting laser engraving, and it has air conditioning, underfloor heating, fresh air pages and mode, wind speed pages.

Note: The product complies with the KNX safety standards, providing a high level of communication security for the intelligent control system.

### **Key functions:**

- Built-in temperature and humidity sensor collects the temperature and humidity of the location of the device and displays it on the screen, supporting scene linkage with other devices of HDL system
- Human proximity sensor: When the human body approaches this device, the panel's display screen will light up automatically.
- Screen backlight brightness can be set on EST.
- HVAC control: air conditioning control (VRF), floor heating control, fresh air control.
- Button lock/unlock function.
- Support KNX online upgrade.

## ◆◆ Appearance

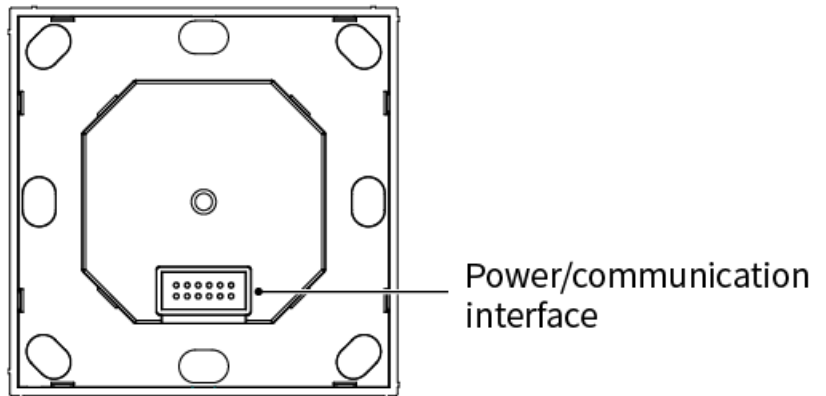
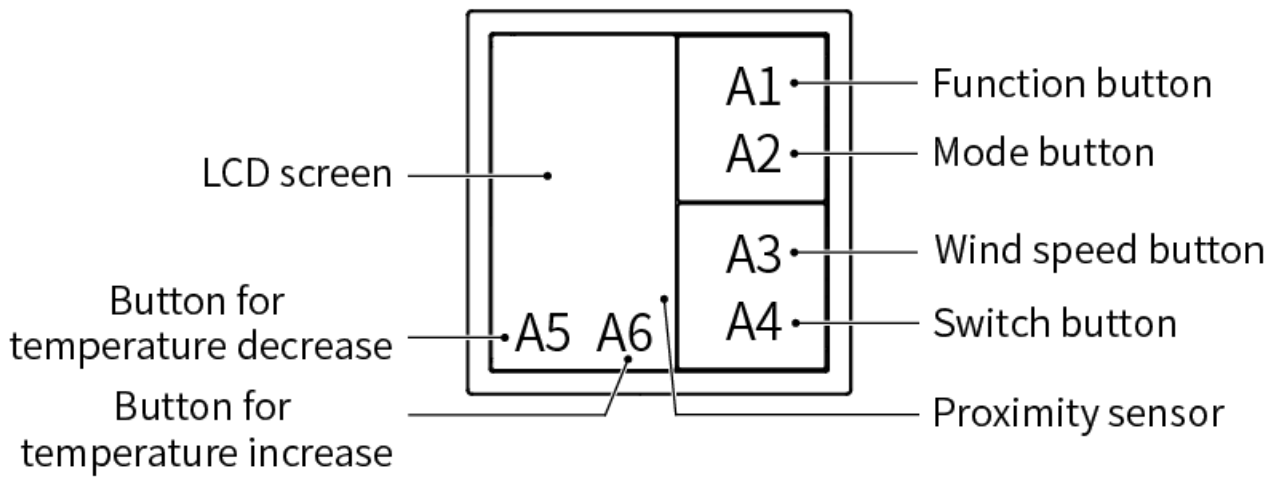


Figure 1

## ◆◆ Technical Data

Item	Parameter
Input	≤250mA/5V DC
Power	KNX bus supply: 5mA/30V DC Auxiliary power supply: 52mA/24V DC
Communication protocol	KNX
Working temperature	-5°C~45°C
Working relative humidity	≤90%RH, non-condensed
Storage temperature	-20°C~60°C
Storage relative humidity	≤93%RH

## ◆◆ Specifications

Item	Parameter
Dimensions (W X H X D)	81.3×81.3×9(mm) (Not including power interface)
Net weight	PC:63.7g; Metal: 75.7g
Housing material	PC/Aluminum alloy
Installation	European standard wall box/ American standard wall box/ Swiss standard wall box
IP degree (compliant with EN 60529)	IP20

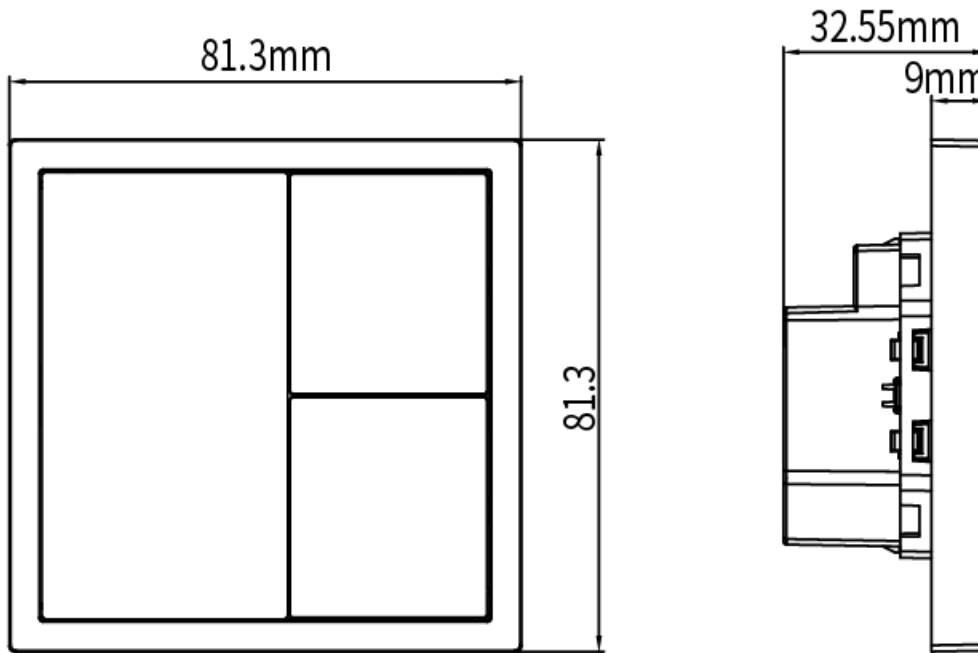


Figure 3

## ◆◆ Safety Precaution

### Warning:

- Installation and commissioning of this equipment must be carried out by us or by an organization appointed by us. The planning and construction of the electrical connection of this equipment must comply with the relevant local safety standards and regulations.
- Any consequences caused by failure to install and wire according to this instruction are not related to our company.
- Please refer all maintenance work to our after-sales department or designated organization, the warranty of this product does not apply to the failure caused by the user's disassembly of the product.

### Caution:

- Before performing any installation or disassembly procedures, any maintenance or cleaning procedures on the device, it is crucial to disconnect the device from all voltage sources. This step is necessary to ensure the safety of the technician

and prevent any potential damage to the device.

- It is a **MUST** to install the device with wall box.
- Do not use corrosive liquid to wipe the device body, especially the interface, so to avoid damage to the device.
- Prior to performing maintenance or cleaning on the device, disconnect the device from all voltage sources, to avoid electric leakage and electric shock.

## ◆◆ Wiring

The device can be used with Panel Power Interface With Auxiliary Power Supply EU.

- **KNX bases wiring instructions:**

**Note:** For KNX connection, a hand-in-hand connection is recommended. Please wire according to HDL standards: KNX+, KNX-, GND and +24V.

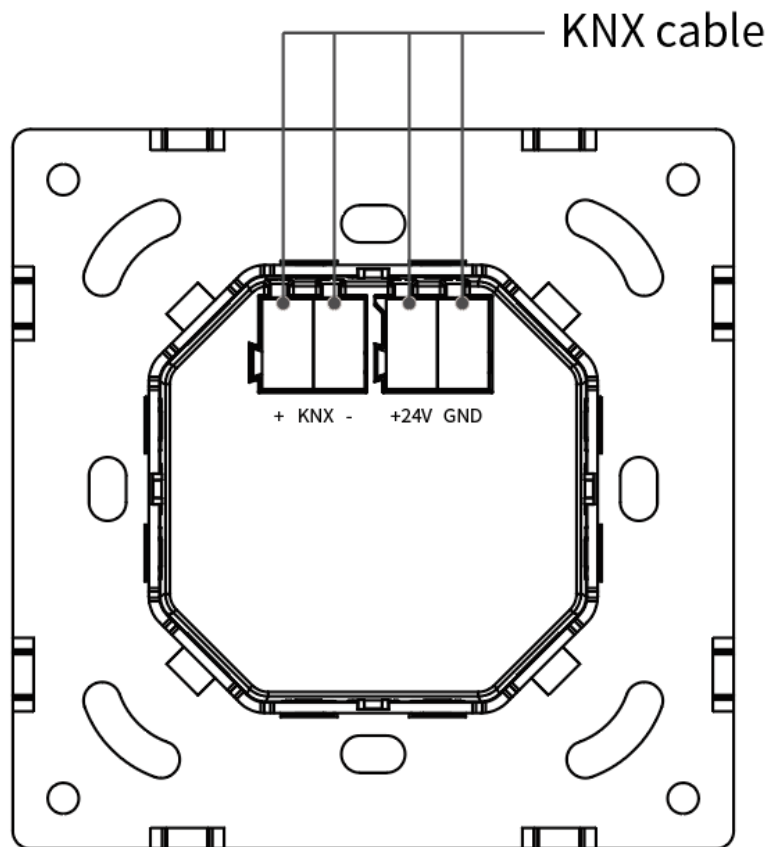


Figure 4

## ◆◆ Installation

**Warning:** Before installation, please cut off the power supply, it is strictly prohibited to operate with electricity.

**Step 1.** Install the wall box (the depth of wall box should not be less than 45mm) in the wall and lead out KNX cable. Connect the cables, and pay attention to safe and reliable wiring.

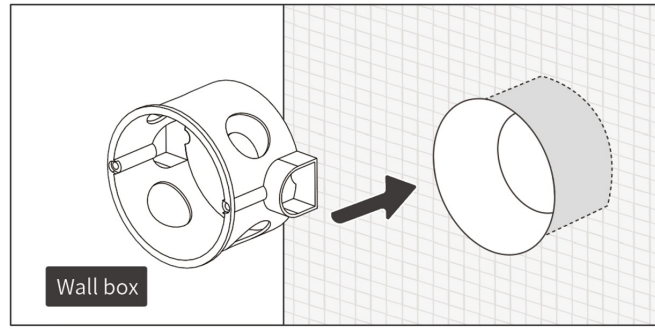


Figure 5

**Step 2.** Insert the power interface into the frame.

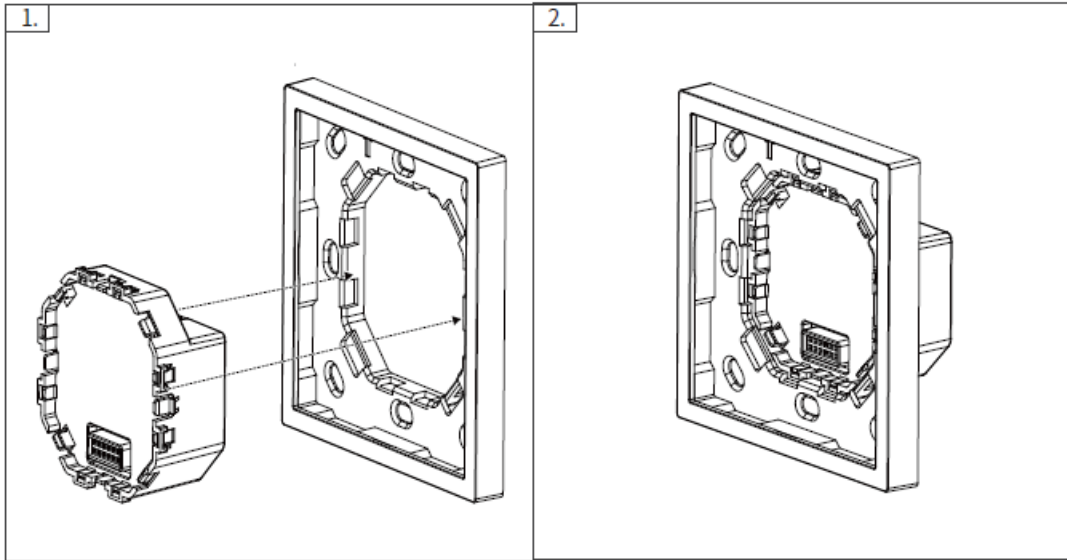


Figure 6

**Step 3.** Use screws to fix the power interface in the wall box.

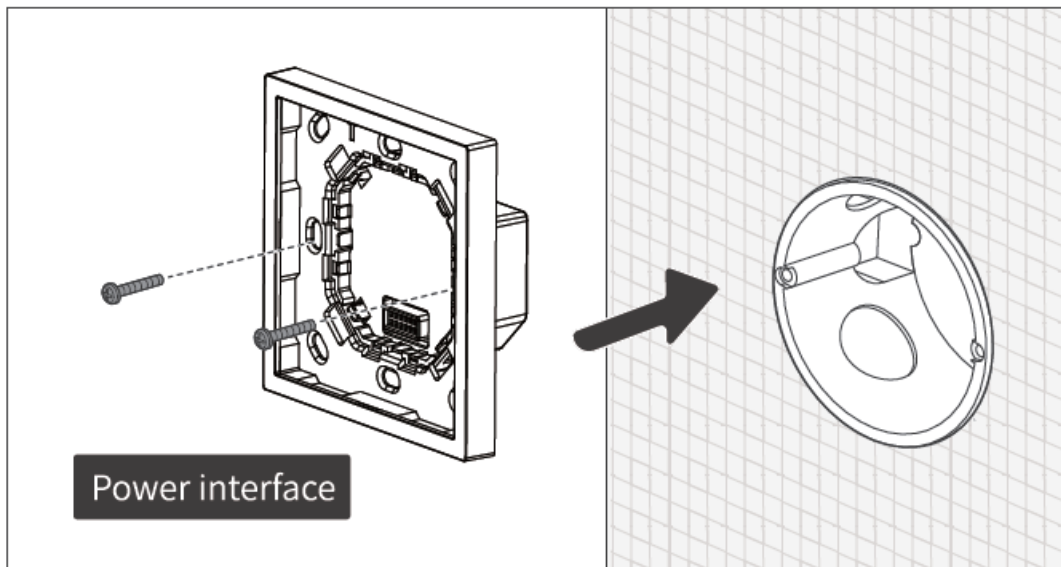


Figure 7

**Step 4.** Align the panel pins with the interface holes, press gently and install on the interface.

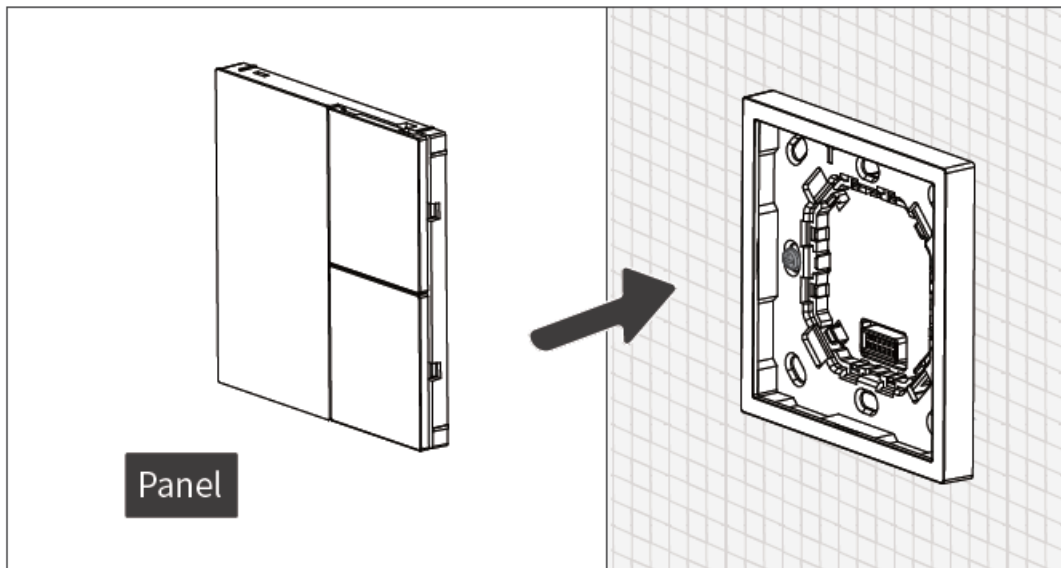


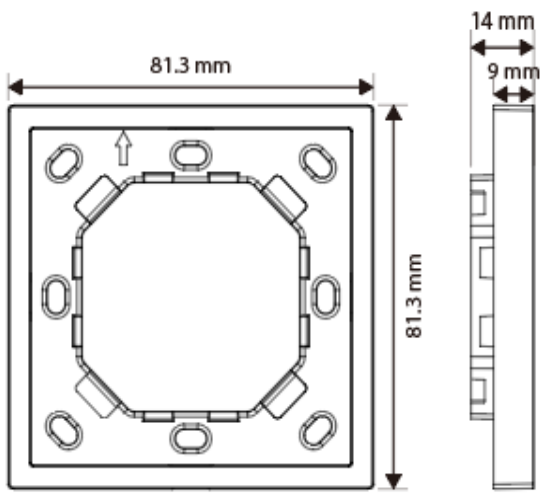
Figure 8

Multi-gang installation:

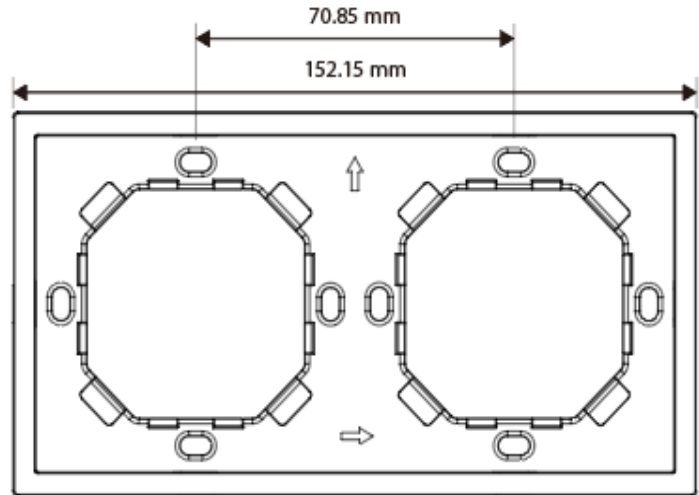
- Supports horizontal and vertical installation;
- Horizontal installation supports up to 4 rows;
- Vertical installation supports up to 4 columns.

**European standard**

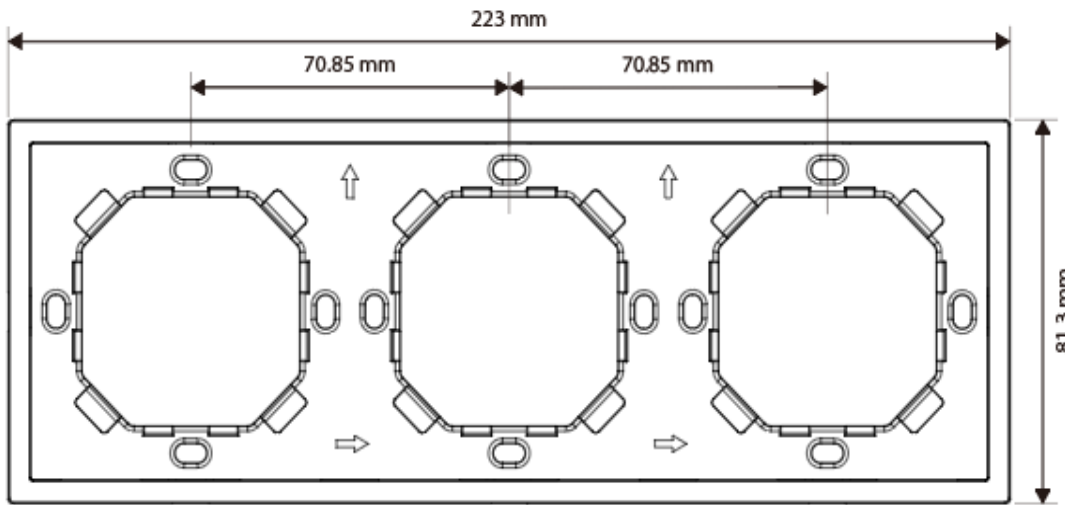
Frame type	Installation direction	Gang number	Size
PC	Horizontal/Vertical	1	81.3*81.3*9(mm)
		2	152.15*81.3*9(mm)
		3	223*81.3*9(mm)
		4	293.85*81.3*9(mm)
Metal	Horizontal/Vertical	1	81.3*81.3*9(mm)
		2	152.15*81.3*9(mm)
		3	223*81.3*9(mm)
		4	293.85*81.3*9(mm)



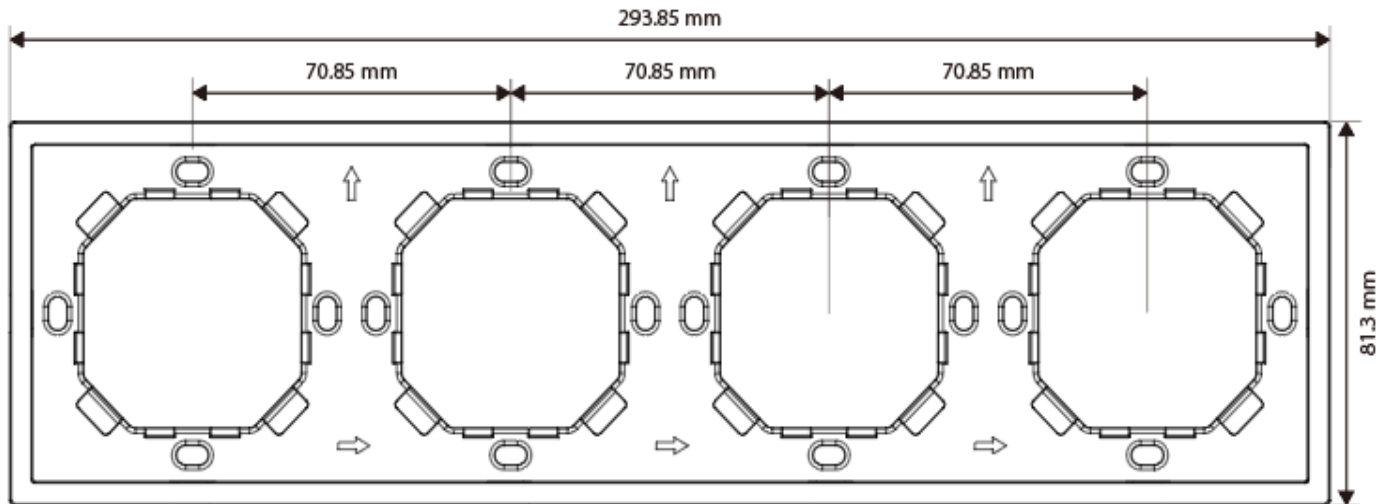
1Gang Panel Frame EU



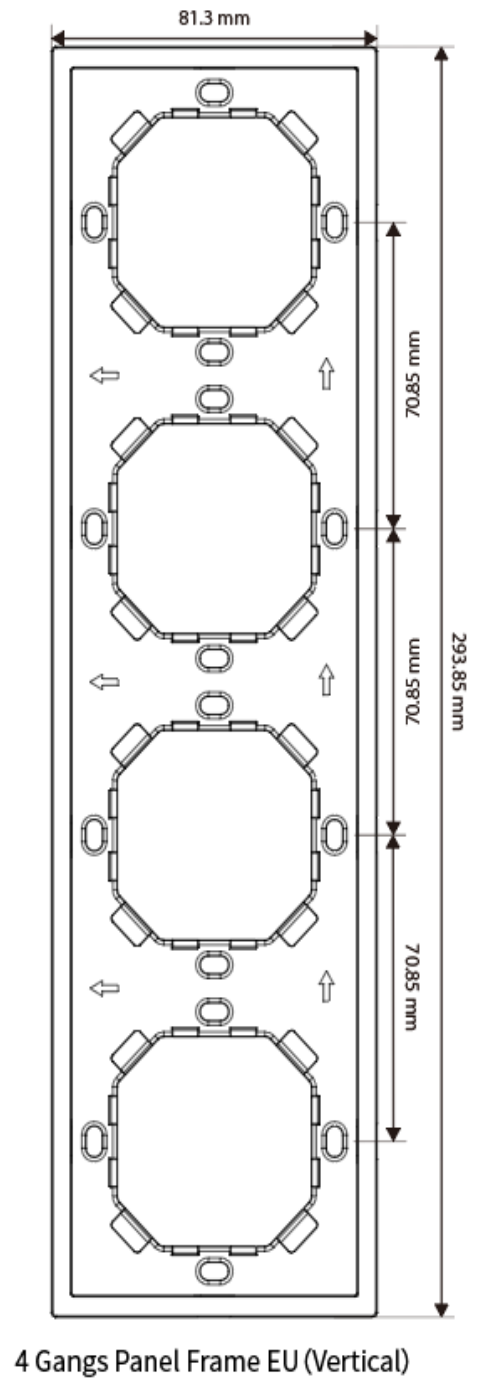
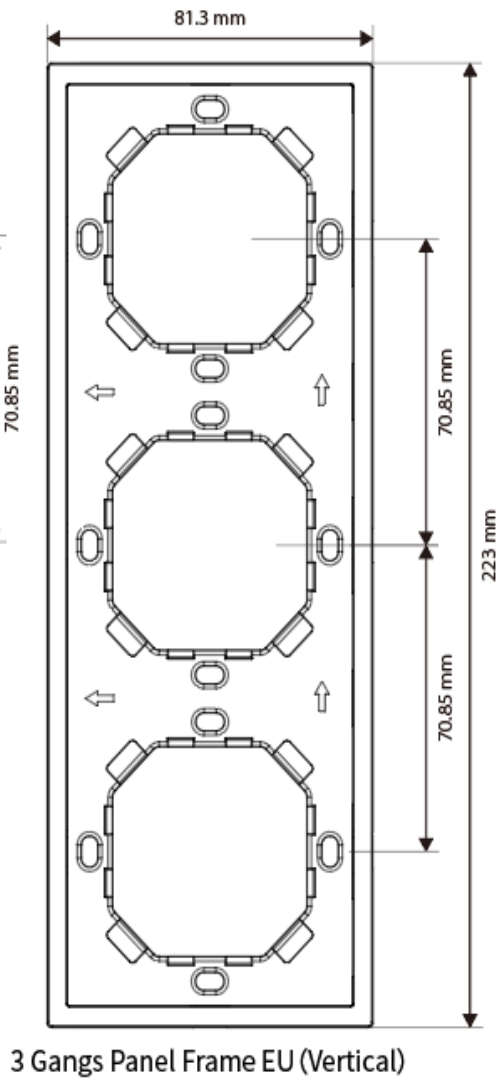
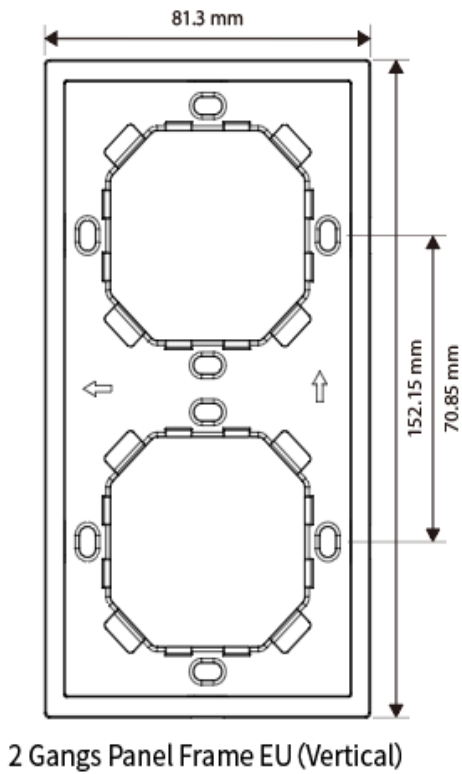
2 Gangs Panel Frame EU (Horizontal)



3 Gangs Panel Frame EU (Horizontal)

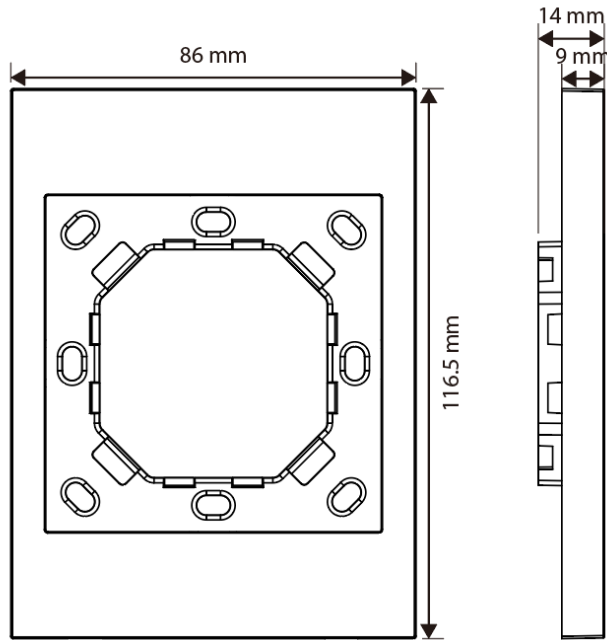


4 Gangs Panel Frame EU (Horizontal)



**American standard**

Frame type	Installation direction	Gang number	Size
PC	Horizontal	1	86*116.5*9(mm)
Metal	Horizontal	1	86*116.5*9(mm)



## ◆◆ Disassembly

Warning: Before performing any disassembly procedures on the device, it is crucial to disconnect the device from all voltage sources. This step is necessary to ensure the safety of the technician and prevent any potential damage to the device.

Step 1. Use a straight screwdriver, insert it into the notch on the panel base plate, rotate it 90° after insertion, then pry open the panel frame.

Step 2. To remove the panel and power base, please refer to the section Installation and do it reversely.

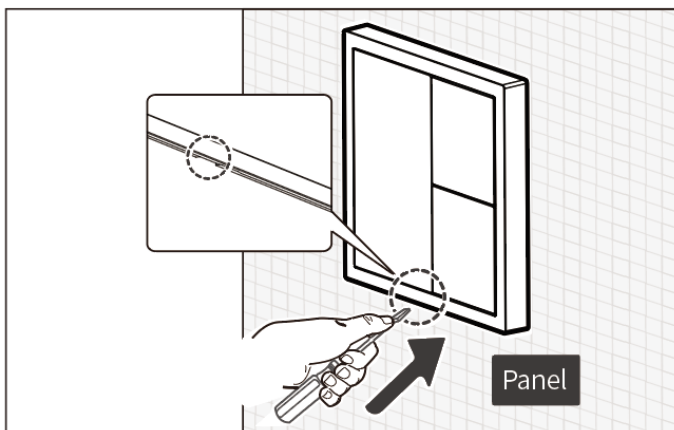


Figure 9

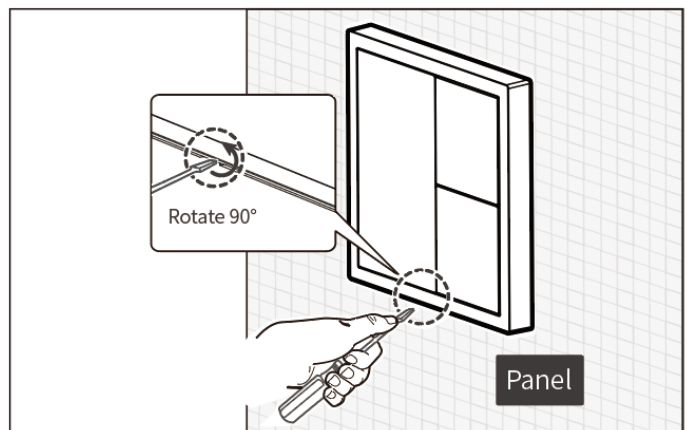


Figure 10

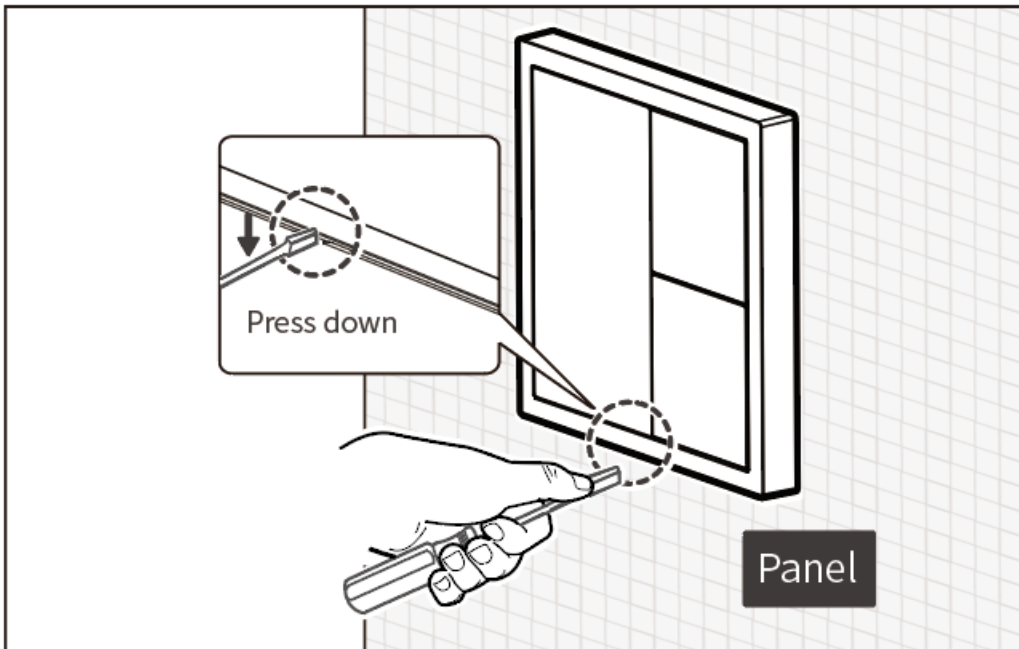


Figure 11

## ◆◆ Operation

**1. Programming mode:** Long press any button for 15 seconds, the display screen will flash, and the programming mode is on (When in programming mode, support for downloading the product database is provided.)

### 2. Panel lock/unlock:

**Manual lock:** short press A1 and A4 button at the same time for 5 seconds, the display screen will flash(power off and re-power on, the panel is still locked)

**Auto-lock:** users can configure the auto-lock function in the ETS, set the auto-lock time, and the panel will be locked automatically after a certain period of time. Panel unlock: press A1 and A4 button at the same time for 5 seconds, the panel will be unlocked.

**Note:** Unlocking must be done manually.

**3. Proximity sensor function setting:** support setting of sensing distance and time of the sensor waking up panel indicator through the ETS(please refer to the commissioning instructions for details).

Device	Function button A1	Mode button A2	Wind speed button A3	Switch button A4	Temperature +/- button
Air conditioning (VRF)	Short press to loop pages (air conditioning → floor heating → fresh air)	Short press to switch control mode	Short press to change wind speed	Turn on/off AC page	Change temperature

Floor heating	Short press to loop pages (air conditioning → floor heating → fresh air)	Short press to switch control mode	/	Turn on/off floor heating page	Change temperature
Fresh air	Short press to loop pages (air conditioning → floor heating → fresh air)	/	Short press to change wind speed	Turn on/off fresh air page	/

## ◆◆ Packing List

- Panel\*1

## ◆◆ Warranty

Warranty period (five years from the date of invoice), if the product fails in normal use, the user can go to the nearest authorized institution with a valid warranty card to obtain free maintenance.

In the following cases, HDL regards the user as giving up the relevant services promised under the warranty and the user shall bear the corresponding responsibility and shall not be entitled to the free warranty:

- Failure of the device caused by force majeure factors.
- The user has placed the device in a transportation or use environment that does not comply with the statements in the product instructions or technical manuals.
- Unauthorized disassembly of the product by the user.
- Promises not made officially by HDL to the user that are beyond the scope of the warranty are the responsibility of the promisor.

HDL reserves the right to update or change the product without prior notice to the user, please visit the HDL website for answers to your questions and the latest product information.

The final interpretation right of the warranty regulations belongs to HDL.

## ◆◆ Copyright Statement

HDL has all the intellectual property rights to this document and contents thereof. Reproduction or distribution for third parties are prohibited without written authorization from HDL. Any infringement of HDL's intellectual property rights will be investigated the legal liability.

The contents of this document will be updated as the updates of product versions or other reasons. Unless otherwise agreed upon, this document is to be used as a guidance only. All the statements, information and recommendations in this document

makes no warranty expressed or implied.

© 2026 HDL Automation Co., Ltd. All rights reserved.

### **Update History:**

The form below contains the information of every update. The latest version contains all the updates of all former versions.

<b>Version</b>	<b>Update Information</b>	<b>Date</b>
V1.0	Initial release	March 16, 2026

## ◆◆ Technical Support

E-mail: [hdltickets@hdlautomation.com](mailto:hdltickets@hdlautomation.com)

Website: <https://www.hdlautomation.com>