

M/PTCI2P.1

KNX Tile Series Panel Power Interface
(with External Power Supply)

Hardware Version: A

Notes: The power interface works with the KNX Tile Display.



Datasheet

Issued: March 23, 2020

File Edition: A

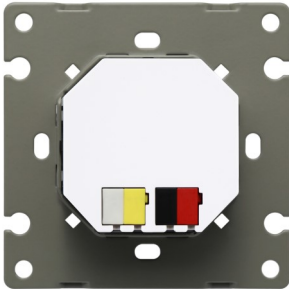


Figure 1. KNX Tile Series Panel Power Interface
(with External Power Supply)

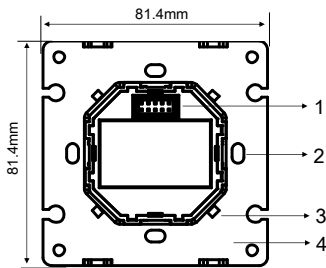


Figure 2. Dimensions - Front View

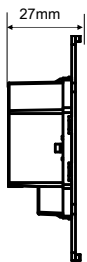


Figure 3. Dimensions - Side View

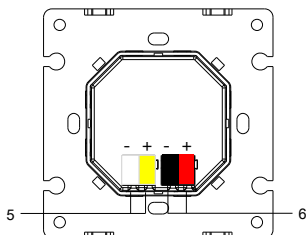


Figure 4. Components - Back View

Overview

KNX Tile Series Panel Power Interface (with External Power Supply) (See Figure 1) works in conjunction with KNX Tile Display and provides working voltage and communication signals to the panel.

Its main functions include:

- Provides working voltage to panel.
- Provides communication signals to panel.

Components

Dimensions - See Figure 2 - 3

1. **Communication interface:** Provides working voltage and signals.
2. **Screw hole:** Used to secure the power interface into the wall box.
3. **Mounting slot**
4. **Metal plate**
5. **Interface of 20-30V DC auxiliary power input**
6. **KNX connector: working voltage 21-30V DC**

Components - See Figure 4

Installation

Installation - See Figure 5

- Step 1. Install the wall box in the wall.
- Step 2. Secure the power interface into the wall box with screws.
- Step 3. Install the panel on the power interface.
- Step 4. Install the frame around the panel.

Note(s)

- The panel power interface should be installed in the wall box.
- The power interface should work in conjunction with panel (M/PTL35.1).
- Bus cable - KNX standard cable.



Safety Precautions

- The installation and commissioning of the device must be carried out by HDL or the organization designated by HDL. For planning and construction of electric installations, the relevant guidelines, regulations and standards of the respective country are to be considered.
- The device should be wall box mounted. HDL does not take responsibility for all the consequences caused by installation and wire connection that are not in accordance with this document.
- Please do not privately disassemble the device or change components, otherwise it may cause mechanical failure, electric shock, fire or body injury.
- Please resort to our customer service department or designated agencies for maintenance service. The warranty is not applicable for the product fault caused by private disassembly.

Package Contents

M/PTCI2P.1*1 / Datasheet*1 / Long screw*2 / Short screw*2

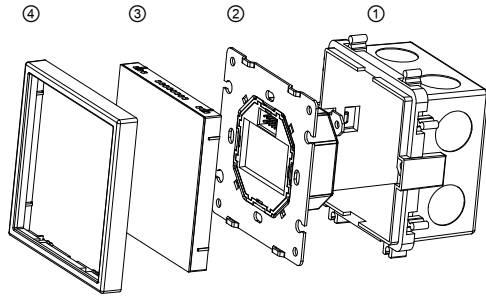


Figure 5. Installation

Technical Data

Basic Parameters

Working voltage	21~30V DC
Auxiliary power supply	20~30V DC
Communication	KNX
Cable diameter of KNX terminal	0.6-0.8mm

External Environment

Working temperature	-5°C~45°C
Working relative humidity	≤90%
Storage temperature	-20°C~60°C
Storage relative humidity	≤93%

Specifications

Dimensions	81.4×81.4×27 (mm)
Net weight	69g
Housing material	Flame-retardant nylon, metal
Installation	Wall box (See Figure 5)
Protection rating (Compliant with EN 60529)	IP20

Name and Content of Hazardous Substances in Products

Components	Hazardous substances					
	Lead (Pb)	Mercury (Hg)	Cadmium (Cd)	Chromium VI (Cr (VI))	Poly-brominated biphenyls (PBB)	Poly-brominated diphenyl ethers (PBDE)
Plastic	o	o	o	o	o	o
Hardware	o	o	o	o	-	-
Screw	o	o	o	×	-	-
Solder	×	o	o	o	-	-
PCB	×	o	o	o	o	o
IC	o	o	o	o	×	×

The symbol “-” indicates that the hazardous substance is not contained.

The symbol “o” indicates that the content of the hazardous substances in all the homogeneous materials of the component is below the limit requirement specified in the Standard IEC62321-2015.

The symbol “×” indicates that the content of the hazardous substance in at least one of the homogeneous materials of the part exceeds the limit requirement specified in the Standard IEC62321-2015.

KNX Cable Guide

KNX	KNX Cable
-	Black
+	Red

Technical support

E-mail: hdtickets@hdlautomation.com
 Website: <https://www.hdlautomation.com>

©Copyright by HDL Automation Co., Ltd. All rights reserved.
 Specifications subject to change without notice.